

Preparation

**Part Number: PT925-34181 (C-Cab)**  
**PT925-34183 (D-Cab)**

**Kit Contents**

Item #	Quantity Req'd.	Description
1	1	Left Hand Running Board
2	1	Right Hand Running Board
3	1	Hardware Kit

**Hardware Bag Contents**

Item #	Quantity Req'd.	Description
1	16	12 mm SEMS M8 x 30mm Bolt
2		
3		

**Additional Items Required For Installation**

Item #	Quantity Req'd.	Description
1		
2		
3		

**Conflicts**

Regular/Access Cab Models
---------------------------

**Recommended Tools**

<b>Personal &amp; Vehicle Protection</b>	<b>Notes</b>
<b>Special Tools</b>	<b>Notes</b>
<b>Installation Tools</b>	<b>Notes</b>
12mm Deep Socket	
13mm Deep Socket	
Ratchet	
3" Extension	
Torque Wrench	0-50 N-m (0-37 ft-lbf)
Panel Pry Tool	Toyota SST 00002-06001-01
<b>Special Chemicals</b>	<b>Notes</b>

**General Applicability**

D-Cab & C-Cab Models
----------------------

**Recommended Sequence of Application**


Item #	Accessory
1	
2	


\*Mandatory


**Vehicle Service Parts** (may be required for reassembly)


Item #	Quantity Req'd.	Description
1		
2		
3		


**Legend**


 **STOP:** Damage to the vehicle may occur. Do not proceed until process has been complied with.

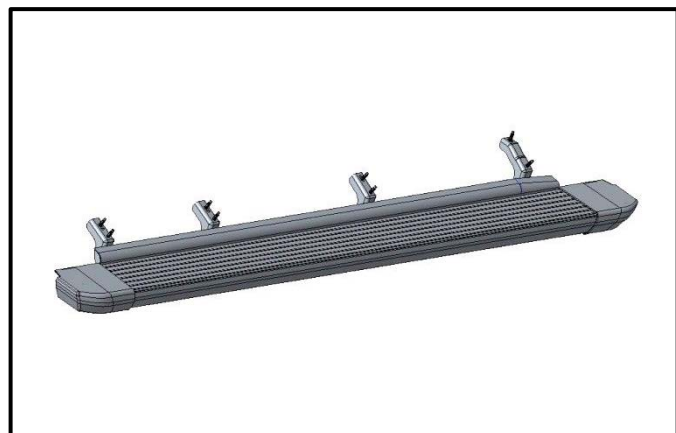
 **OPERATOR SAFETY:** Use caution to avoid risk of injury.

 **CAUTION:** A process that must be carefully observed in order to reduce the risk of damage to the accessory/vehicle and to ensure a quality installation.

 **TOOLS & EQUIPMENT:** Used in Figures calls out the specific tools and equipment recommended for this process.

 **REVISION MARK:** This mark highlights a change in installation with respect to previous issue.

 **SAFETY TORQUE:** This mark indicates that torque is related to safety.



Procedure

Care must be taken when installing this accessory to ensure damage does not occur to the vehicle. The installation of this accessory should follow approved guidelines to ensure a quality installation.

These guidelines can be found in the "Accessory Installation Practices" document.

This document covers such items as:-

- Vehicle Protection (use of covers and blankets, cleaning chemicals, etc.).
- Safety (eye protection, rechecking torque procedure, etc.).
- Vehicle Disassembly/Reassembly (panel removal, part storage, etc.).
- Electrical Component Disassembly/Reassembly (battery disconnection, connector removal, etc.).

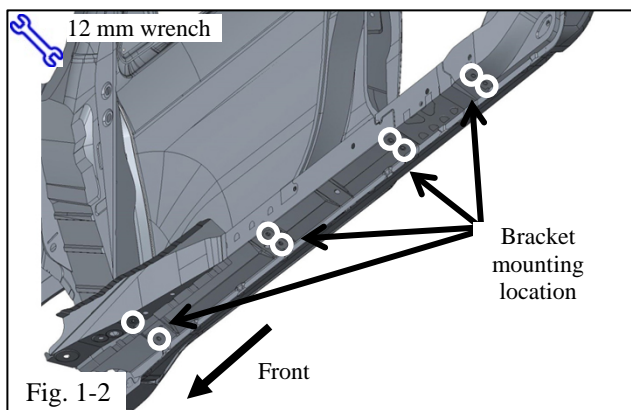
Please see your Toyota dealer for a copy of this document.

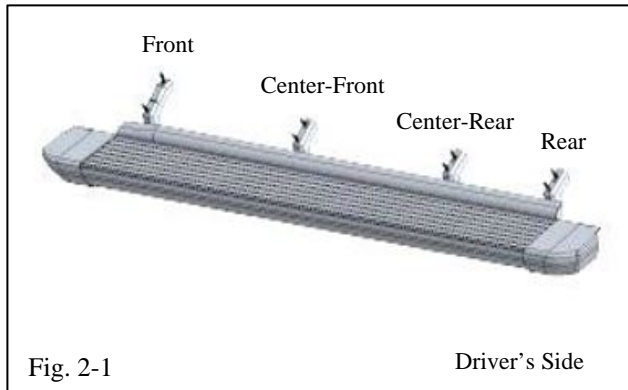
**1. Prepare for the Install.**

- (a) Open the box and check the kit for complete contents.
- (b) Remove the protective plastic and check for any damage.
- (c) Ensure the gap guard is centered between the end caps (Fig. 1-1).



- (d) Cover the lift with a cloth to prevent damage.
- (e) Using a 12mm socket, remove and discard 16 OE Hex bolts from underneath the vehicle (8 per side) (Fig. 1-2).



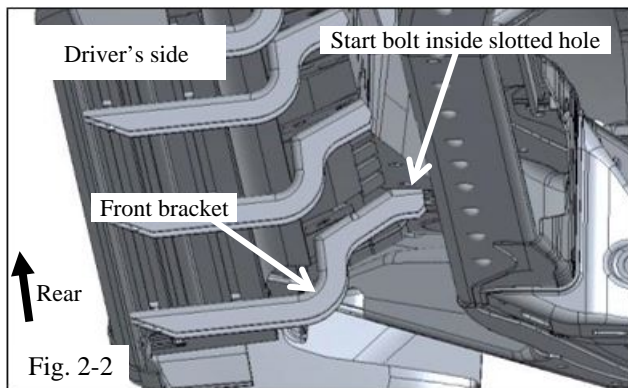


2. Install the Driver Side Running Board.

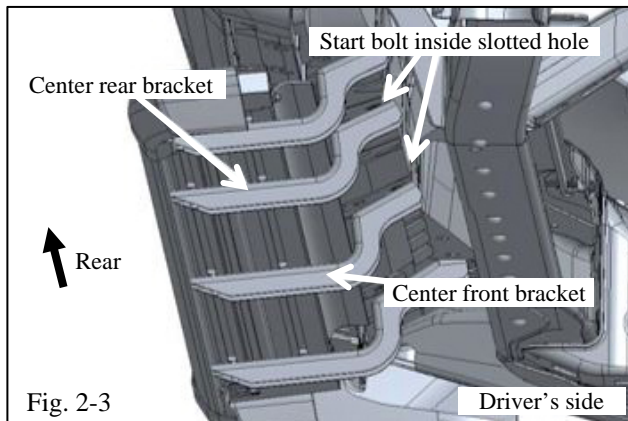
- (a) Position the running board to the driver side of the vehicle (Rest the part on the covered section of lift or ramp).

**NOTE:** The long bracket goes to the front of the vehicle (Fig. 2-1).

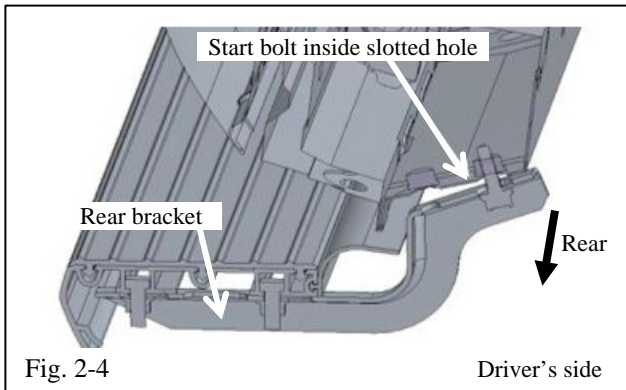
**NOTE:** For the following steps, the use of a non-impacting type electric hand tool can be used to drive the bolts as long as the bolts don't reach or exceed the specified torque. **Leave all hardware loose at this time.**



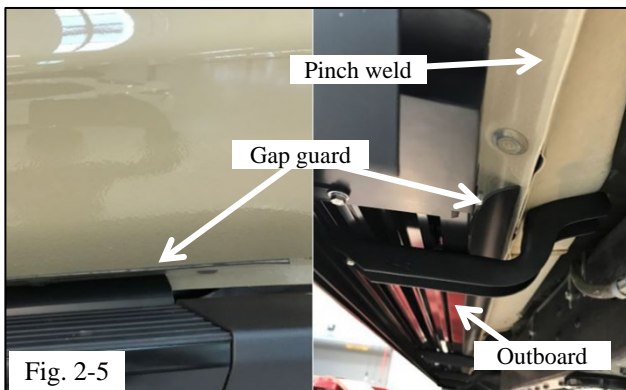
- (b) Starting with the front bracket, hand start one 12mm Hex head bolt into the inside slotted hole of the bracket (Fig. 2-2).



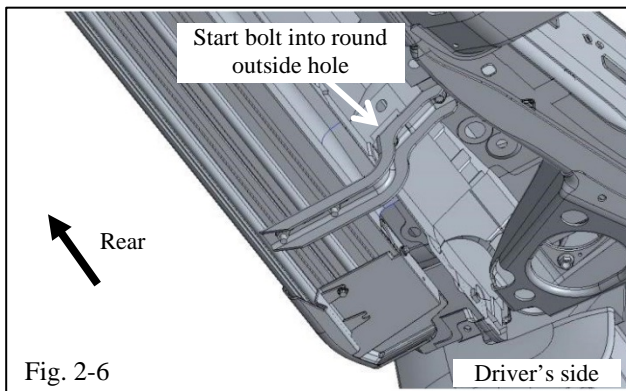
- (c) Hand start one 12mm Hex head bolt into the inside slotted hole in the center-rear bracket (Fig. 2-3).
- (d) Hand start one 12mm Hex head bolt into the inside slotted hole in the center-front bracket (Fig. 2-3).



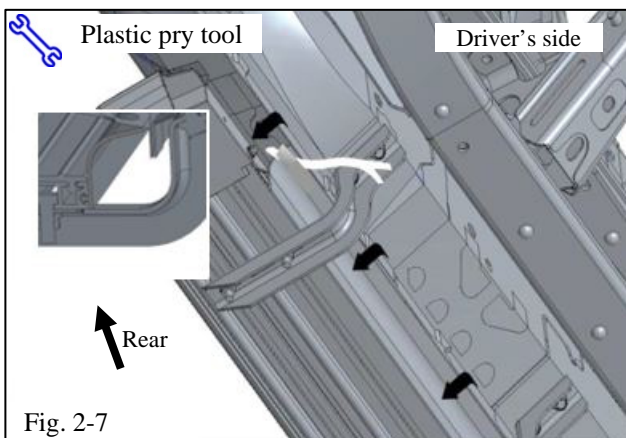
- (e) Hand start one 12mm Hex head bolt into the inside slotted hole in the rear bracket (Fig. 2-4).



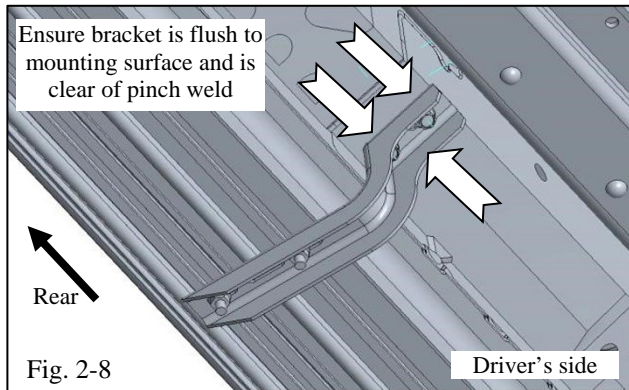
- (f) Push the running board inward and upward to the truck with the gap guard positioned outside of the pinch weld (Fig. 2-5).



- (g) Hand start one 12mm Hex head bolt into the round outside hole in the front bracket (Fig. 2-6).
- (h) Hand start the 12mm Hex head bolts in the remaining three outside bracket holes.



- (i) Using a plastic panel pry tool or equivalent, push the gap guard to the outside of the pinch weld (Fig. 2-7).
- (j) Snug up (but do not torque) all the bracket-to-vehicle bolts.



### 3. Torque all the Hardware.

**⚠ NOTE:** Prior to final torque, ensure all four brackets are positioned flush to the mounting surface and clear of the pinch weld (Fig. 2-8).

- (a) Using a 12mm socket and 3" extension, torque the 12mm Hex head bolts from the front to rear.

**⚠ Torque: 23 N-m (17 ft-lbf)**

- (b) Using a 13mm socket, torque the 13 mm flange nuts (bracket to board), front to rear.

**⚠ Torque: 16 N-m (12 ft-lbf)**

### 4. Re-torque all the Bracket Hardware.

- (a) Using a 12mm socket and 3" extension, torque all sixteen 12mm Hex head bolts (bracket to vehicle), front to rear.

**⚠ Torque: 23 N-m (17 ft-lbf)**

- (b) Using a 13mm socket, torque the 13mm flange nuts (bracket to board) front to rear.

**⚠ Torque: 16 N-m (12 ft-lbf)**

**⚠ NOTE:** After the final torque, ensure gap guard is not tucked under the pinch weld.

### 5. Install the Passenger Side Running Board.

- (a) Repeat steps 2 through 4 on the passenger side.

### 6. Complete the Torque Audit Sheet (PPO only).

Checklist - these points **MUST** be checked to ensure a quality installation.

<u>Check:</u>	<u>Look For:</u>
<p><u>Accessory Function Checks</u></p> <ul style="list-style-type: none"><li><input type="checkbox"/> Step alignment</li> <li><input type="checkbox"/> Inspect bolt torques</li><li><input type="checkbox"/></li><li><input type="checkbox"/></li></ul>	<p>Running Board should be aligned so that they are centered on the vehicle.</p> <p>Complete the torque audit sheet. (For PPO installation only).</p>
<p><u>Vehicle Function Checks</u></p> <ul style="list-style-type: none"><li><input type="checkbox"/> No interference between step &amp; vehicle</li><li><input type="checkbox"/></li><li><input type="checkbox"/></li></ul>	<p>Bracket to pinch weld contact</p>
<p><u>Vehicle Appearance Check</u></p> <ul style="list-style-type: none"><li><input type="checkbox"/> After accessory installation and removal of protective cover(s), perform a visual inspection.</li></ul>	<p>Ensure no damage (including scuffs and scratches) was caused during the installation process.</p> <p>(For PPO installations, refer to TMS Accessory Quality Shipping Standard.)</p>